

# Non Metallic Weld Backings For Full Penetration Welding.

Weld More Efficiently.

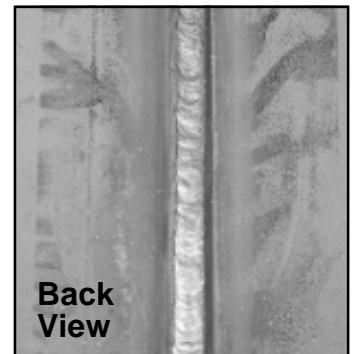
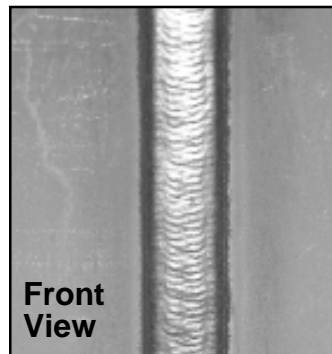
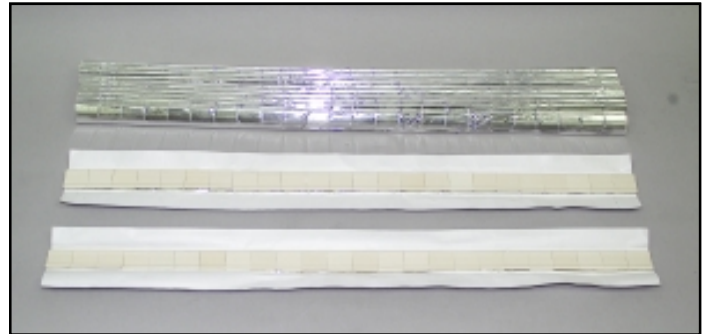
Achieve Full Penetration Welding From One Side And Eliminate Gouging, Backgrinding And Material Handling.



One-sided welding with Bug-O Systems MDS Travel Carriage.

BUG-O SYSTEMS weld backings are non metallic, non hygroscopic, neutral, and unlike metal backing bars, do not become part of the finished weld. When properly positioned and attached to the back side of a weld joint, your welds can be free of defects eliminating rework and cleanup associated with poor root welds.

One-sided one-pass and one-sided multi-pass welds are possible with BUG-O SYSTEMS weld backings. Our backings support molten weld metal over a wide range of welding heats resulting in uniform back beads of finished quality.



Front and back view of a single sided weld.

## Achieve:

- X-Ray quality welds.
- Full penetration welding from one side
- Uniform back bead of finished quality

## Eliminate:

- Defects and costly rework
- Gouging and backgrinding
- Eliminate material handling



## BUG-O SYSTEMS

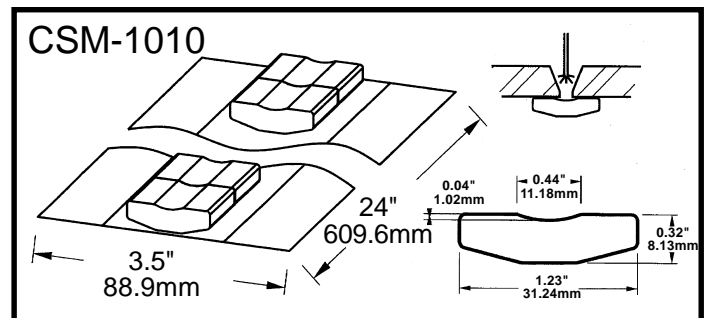
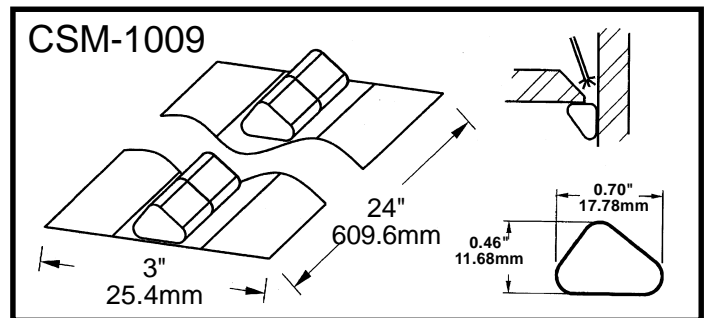
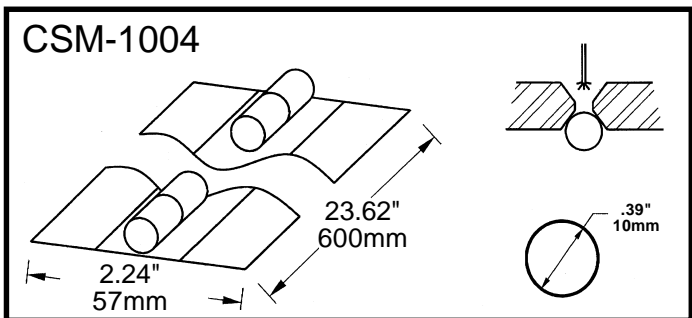
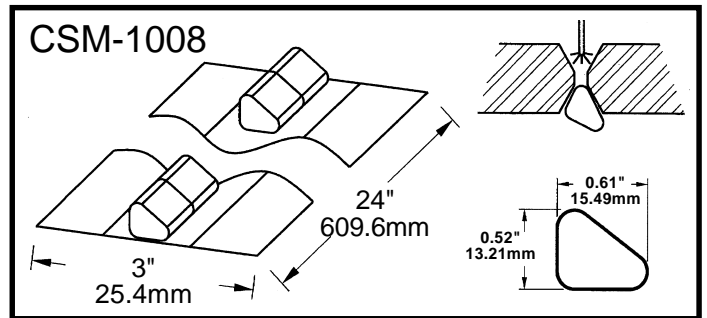
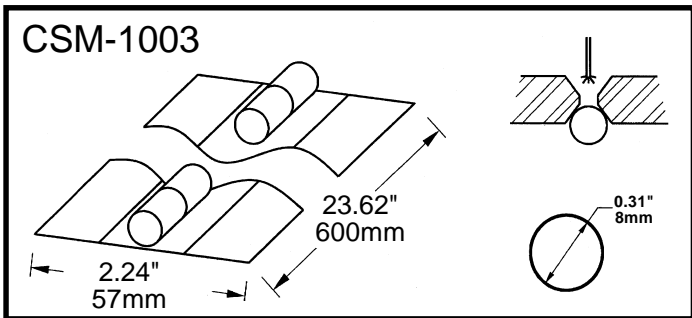
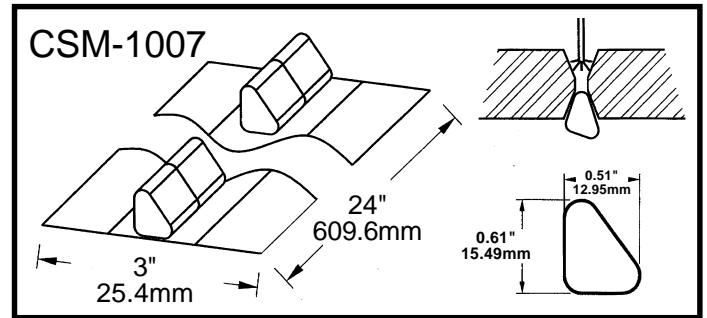
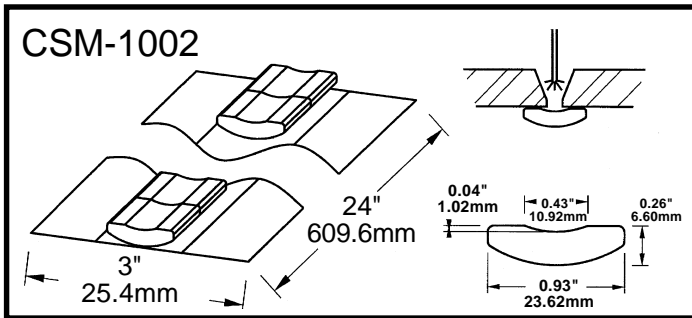
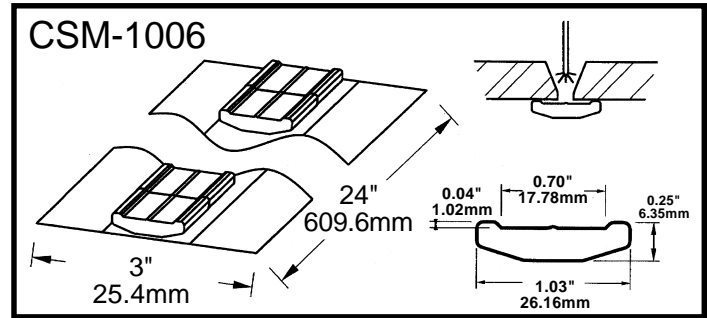
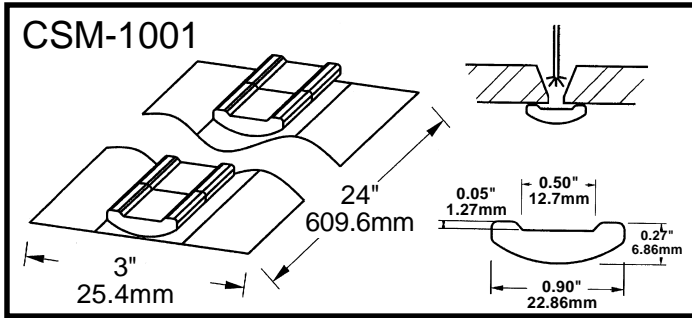
A DIVISION OF WELD TOOLING CORPORATION



3001 WEST CARSON STREET PITTSBURGH, PENNSYLVANIA USA 15204-1899  
PHONE: 1-800-245-3186 <http://www.bug-o.com> TELEFAX: 1-412-331-0383

# BUG-O SYSTEMS

## Non Metallic Weld Backings For Full Penetration Welding.



**BUG-O SYSTEMS**

A DIVISION OF WELD TOOLING CORPORATION

3001 WEST CARSON STREET

PITTSBURGH, PENNSYLVANIA USA 15204-1899

© Weld Tooling Corp. ΧΡΗΣΙΣ ROM 1:16 Litho in U.S.A.

LIT-CSM-BRO-0905

Other configurations are available. Please consult factory for more information.